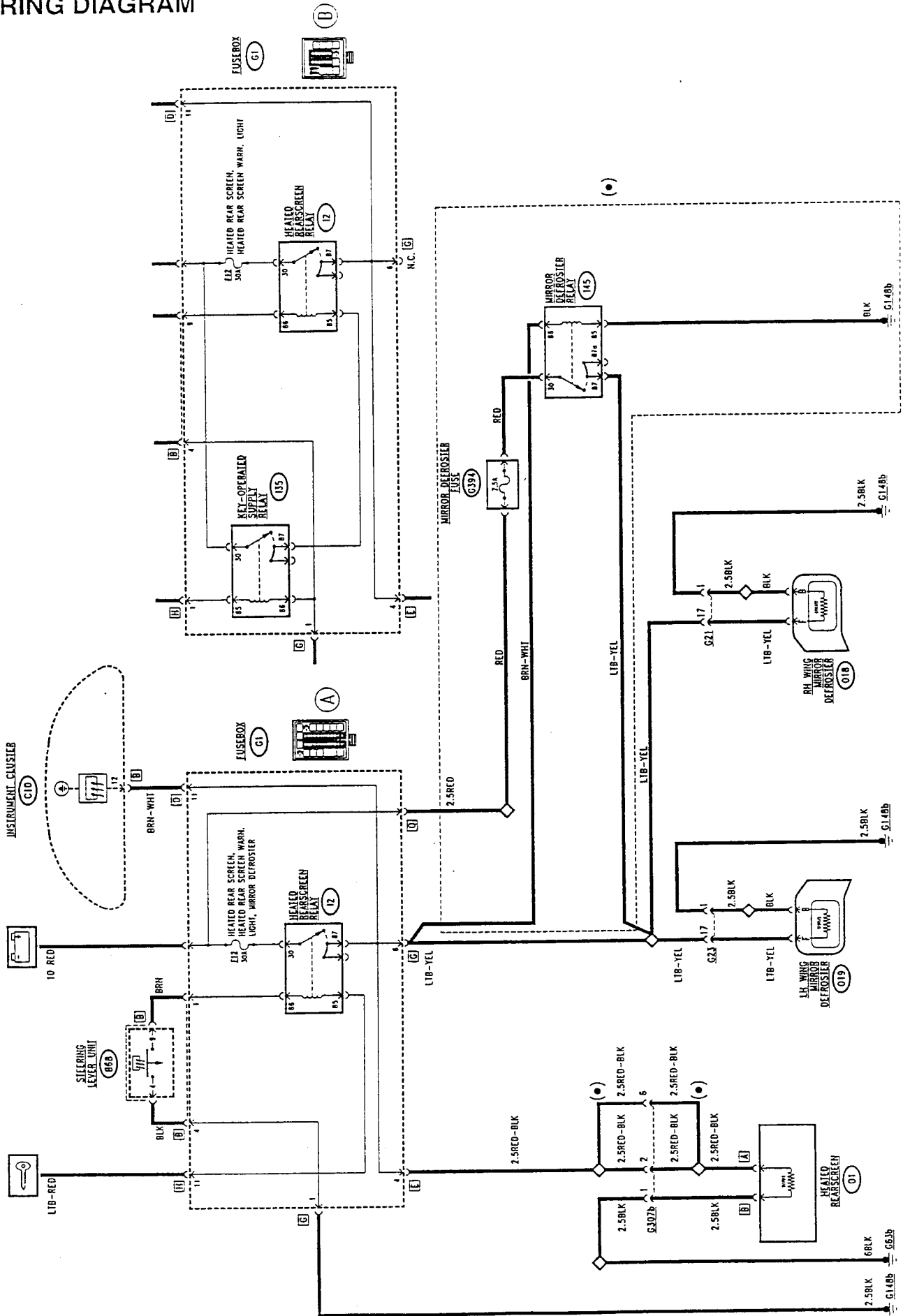


HEATED REARSCREEN AND DEFROSTING THE WING MIRRORS

INDEX

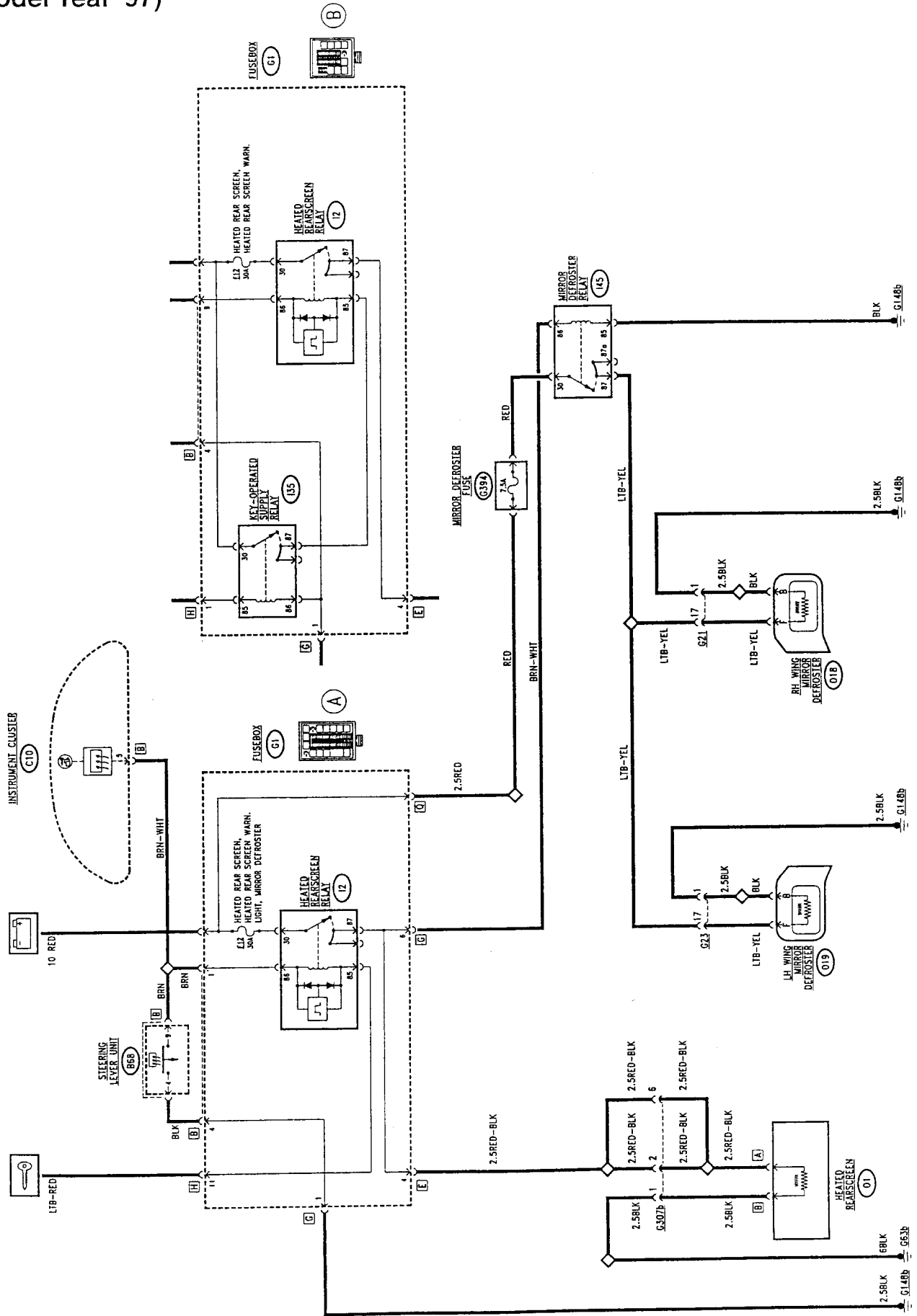
WIRING DIAGRAM	24-2
WIRING DIAGRAM MODEL YEAR '97	24-2/1
GENERAL DESCRIPTION	24-3
FUNCTIONAL DESCRIPTION	24-3
COMPONENTS AND CONNECTORS	24-3
LOCATION OF COMPONENTS	24-6
FAULTFINDING TABLE	24-7
CHECKING COMPONENTS	24-7

WIRING DIAGRAM



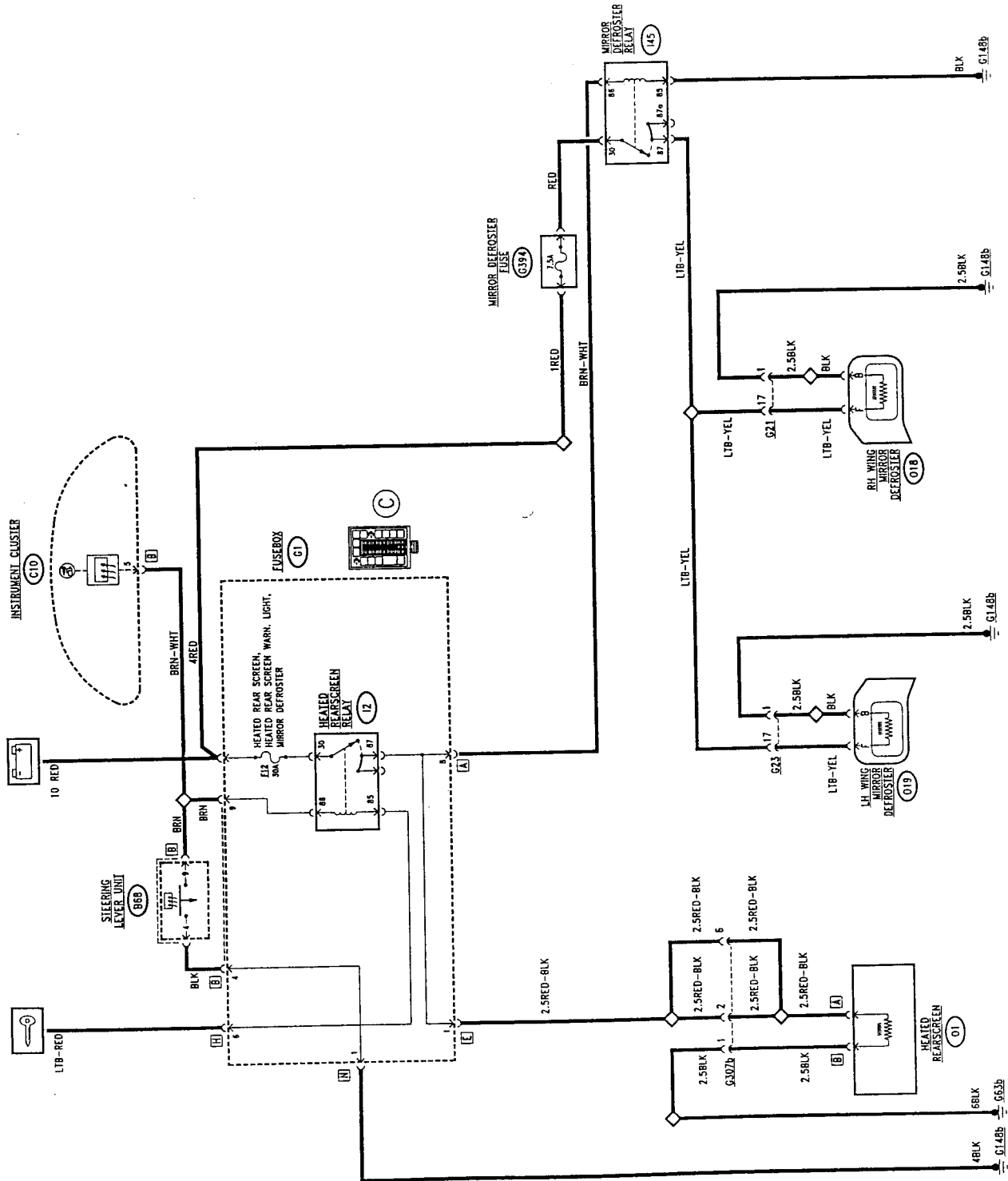
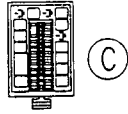
(.) from chassis no....

WIRING DIAGRAM (Model Year '97)



Heated rearscreen and defrosting the wing mirrors

WIRING DIAGRAM



GENERAL DESCRIPTION

The rearscreen and wing mirrors (in some countries/versions only) incorporate a wire that heats the surfaces it contacts when it is crossed by current, thereby quickly demisting and/or defrosting them.

The device is actuated by pressing the corresponding switch on the lever unit which controls the heated rearscreen relay.

A warning light on the instrument cluster indicates when the device is operating.

Actuation of the heated rearscreen also turns on the wing mirror defrosting function (if installed).

From chassis no. the supply for door mirror defrosting is through a dedicated line, with specific relay and fuse.

FUNCTIONAL DESCRIPTION

The line of fuse **F12** of fusebox **G1** supplies the rearscreen heating relay switch **I2**, the coil of which is supplied from the ignition switch and energized by an earth signal leading from switch $\overline{777}$ on the lever unit **B68**.

From Model Year '97, the relay includes an electronic device which turns off the device after 5 minutes from 1st engagement and shorter times after any subsequent engagements.

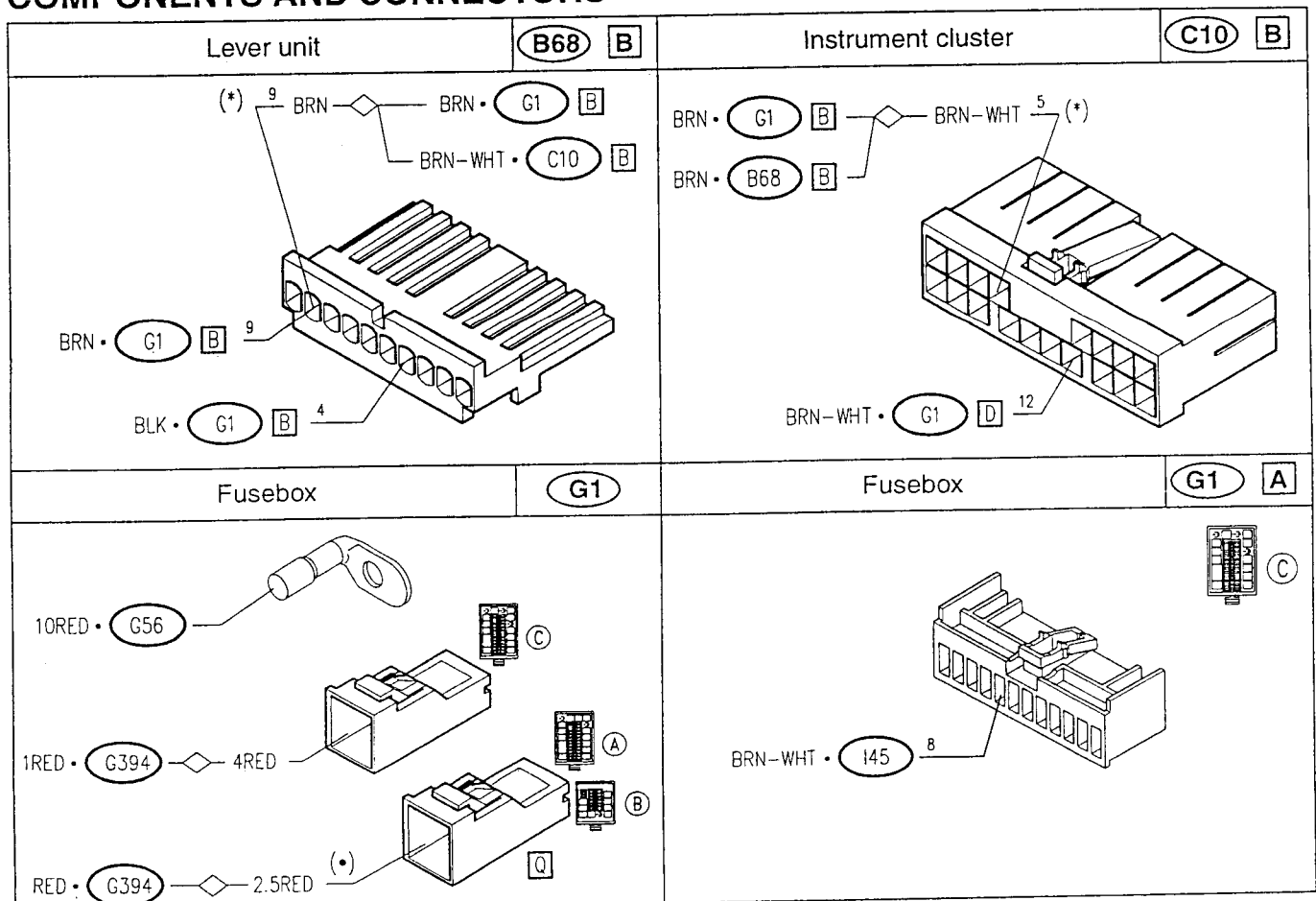
Relay switch **I2** is also located in fusebox **G1**. When the contact of relay switch **I2** closes the battery voltage supplies the line, which protected by fuse **F12** of **G1**, reaches the rearscreen **O1** and the resistances of the wing mirrors **O19** (left) and **O18** (right).

From chassis no..... the mirrors are supplied by the line of fuse **G394** (7.5A) through relay **I45**.

The same supply signal is also sent to the instrument cluster **C10** to turn on the corresponding warning light.

WARNING: from Model Year '97 the warning light is in a different position - See "INSTRUMENT CLUSTER".

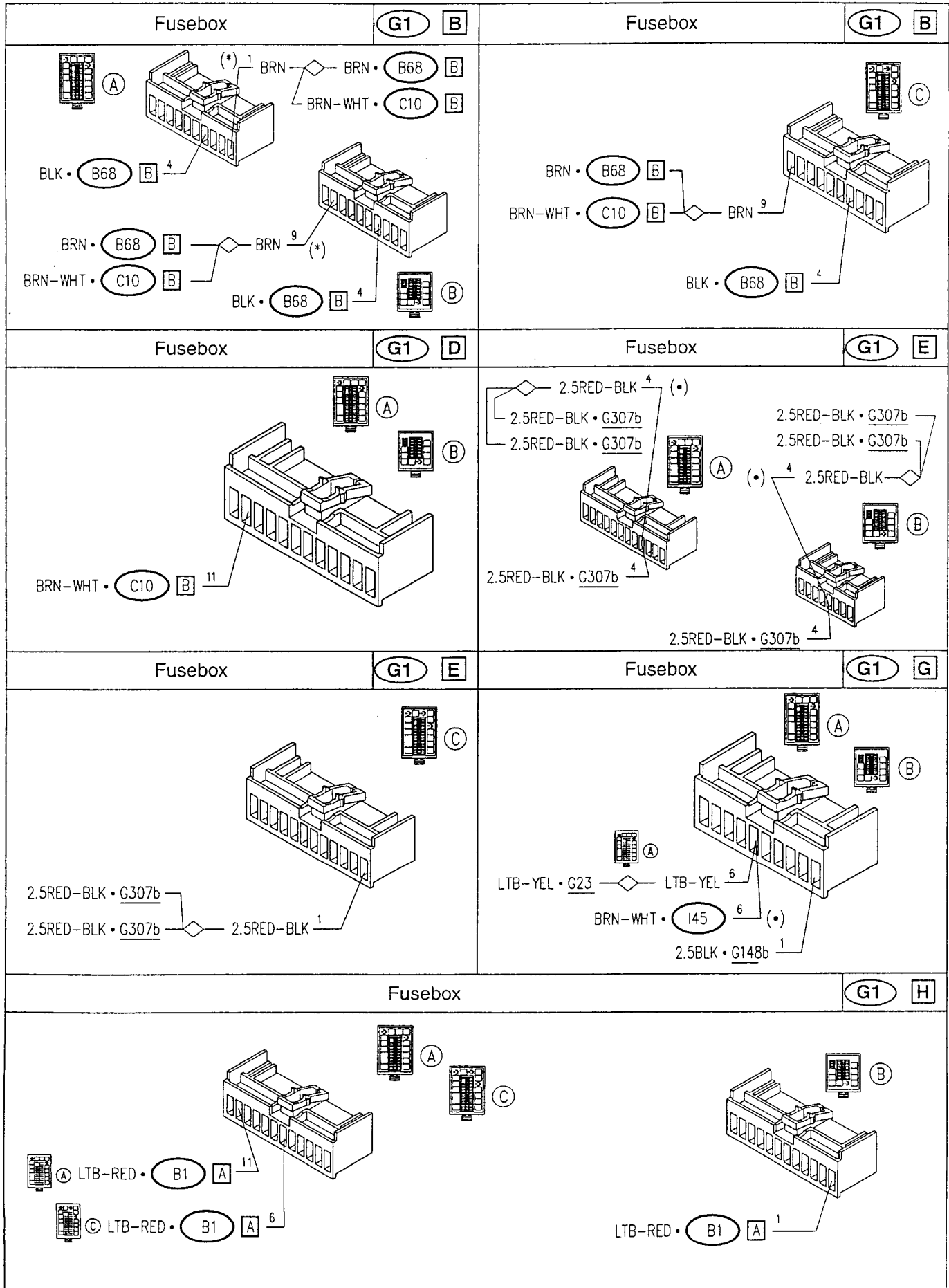
COMPONENTS AND CONNECTORS



(*) from chassis no.....
 PA49300000008

(*) Model Year '97

COMPONENTS AND CONNECTORS (cont.d)



COMPONENTS AND CONNECTORS (cont.d)

RH front door wiring connector		G21
LH front door wiring connector		G23
LH rear earth	G63b	LH earth under dashboard
Rear/luggage compartment wiring connector B	G307b	Door mirrors defrosting fuse (•)

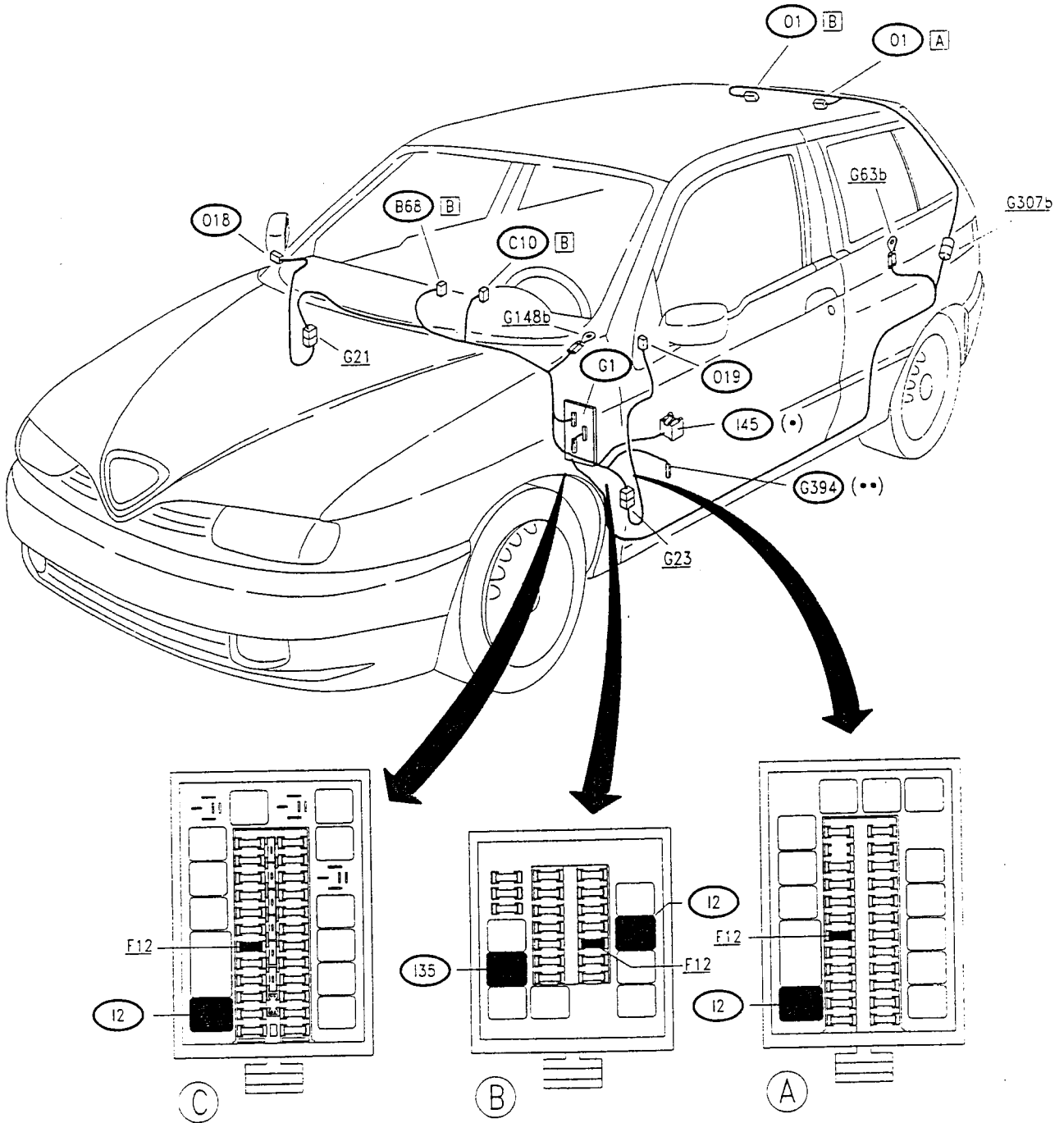
(•) from chassis no.....
PA49300000008

COMPONENTS AND CONNECTORS (cont.d)

Door mirrors defrosting relay (•)	I45	Heated rearscreen	O1
<p>BLK • G148c 85 LTB-YEL • G23 LTB-YEL 87 LTB-YEL • G21 BRN-WHT • G1 G 86 30 RED • G394 86 BRN-WHT • G1 A B C</p>		<p>2.5RED-BLK • G307b A 2.5RED-BLK • G307b 2.5RED-BLK (•) B 2.5RED-BLK • G307b 2.5BLK • G307b</p>	
RH wing mirror defroster	O18	LH wing mirror defroster	O19
<p>2.5BLK • G21 B LTB-YEL • G21 F</p>		<p>2.5BLK • G23 B LTB-YEL • G23 F</p>	

(•) from chassis no.....

LOCATION OF COMPONENTS



(•) White base

(••) Brown fuseholder

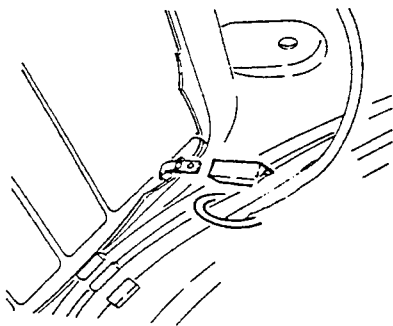
FAULTFINDING TABLE

Failure	Component to be checked								
	F12	I2	B68	O1	I45	G394	O19	O18	C10 (*)
Defrosting, under all circumstances	•	•	•						
Rearscreen defrosting				•					
Defrosting the wing mirrors					•	•			
LH wing mirror defrosting							•		
RH wing mirror defrosting								•	
Rearscreen warning light									•

(*) The instrument cluster C10 cannot be repaired. Therefore, in the event of a failure it is not possible to change the single warning light and a new, complete cluster must be fitted.

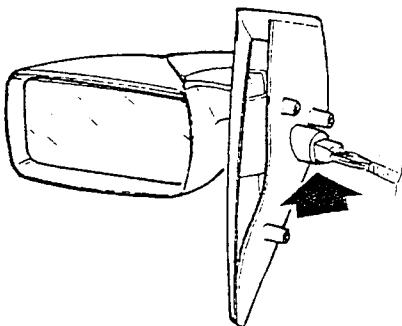
CHECKING COMPONENTS

Heated rearscreen (O1)



SPECIFICATIONS	
Max. absorbed current	15 ± 1 A
Defrosting resistance (between terminals A and B)	0.7 ± 1 Ω

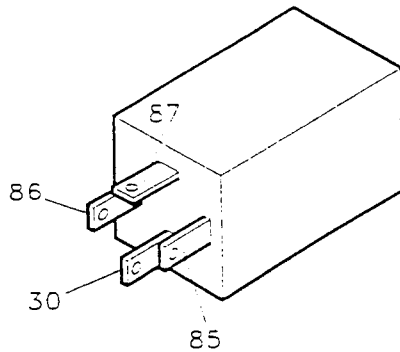
Wing mirrors defrosting (O18) (O19)



SPECIFICATIONS	
Defrosting resistance (between pins F and B of connector)	10 Ω

Rearscreen heating relay (timed)

I2



Check the device: see TEST A

CHECK REARSCREEN RELAY I2		TEST A	
TEST PROCEDURE		RESULT	CORRECTIVE ACTION
A1	CHECK VOLTAGE	OK ►	Carry out step A2
– Disconnect device I2 and check on the base of fusebox G1: for 12V at pin 30. With key on RUN; 12V at pin 85.		OK ►	Check fuse F12 of G1
A2	CHECK CONTROL SIGNAL	OK ►	Insert device I2 on the base of G1 and continue with step A3
– Turn on defrosting and check for an earth at pin 88 of I2		OK ►	Restore the wiring between G1 and the switch on the lever unit B68, or replace the latter
A3	CHECK OPERATION OF DEFROSTING	OK ►	DEVICE I2 IS WORKING PROPERLY Check the other components of the system or the associated connections
– Operate defrosting and check for 12V between pins 1 and 6 of connector G of G1; this voltage ceases after 5 minutes		OK ►	REPLACE DEVICE I2